

NOTES

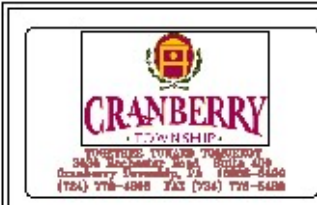
- 1) ANY ALTERNATE INTERCEPTOR PLUMBING OR SAMPLING STRUCTURE DESIGN MUST BE APPROVED BY TOWNSHIP
- 2) INTERCEPTOR TO BE PROPERLY VENTED
- 3) LIDS SHALL BE INSCRIBED WITH "GREASE"

Model and Size: _____

"I certify that the person or persons ultimately responsible for the grease management at this facility have been made fully aware of the requirements specified by Cranberry Township's Fats, Oil & Grease (FOG) Program, and that if installed, operated and maintained properly, the grease interceptor herein specified will be adequate to meet those requirements."

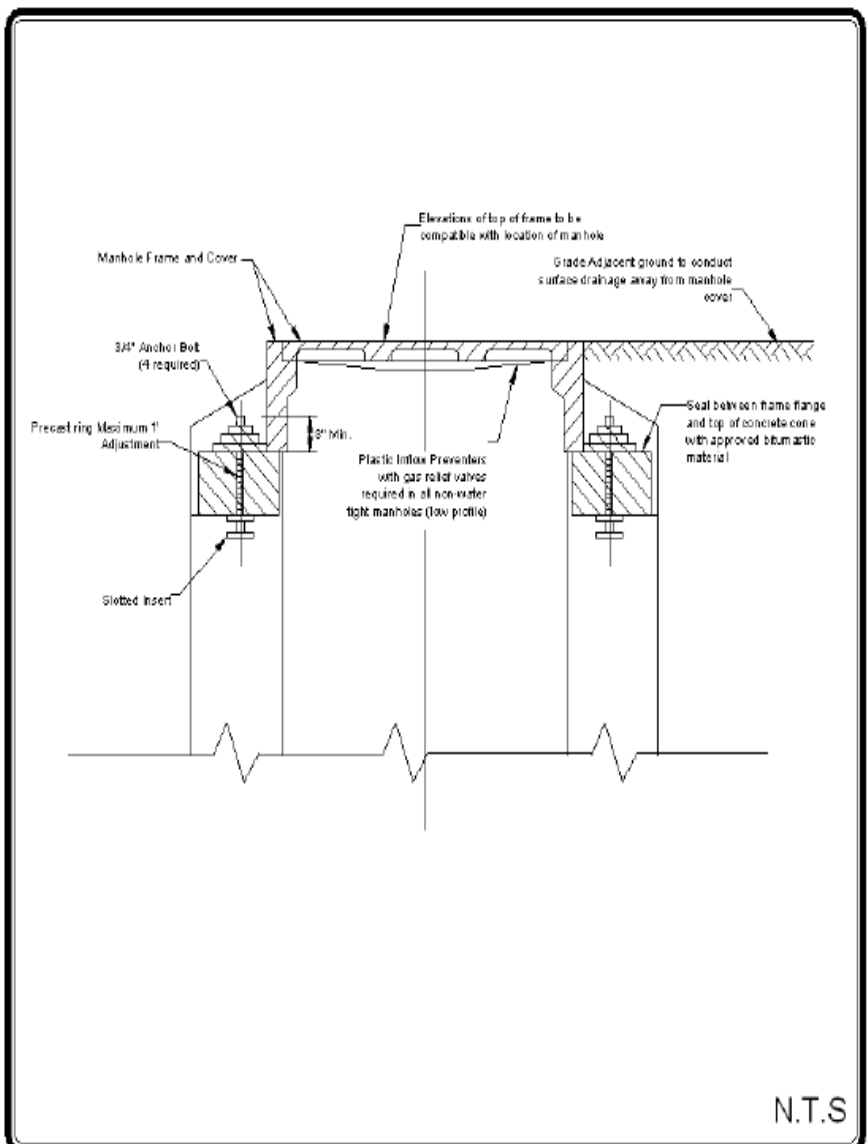
Signature: _____

All Units must comply with the 2009 IPC

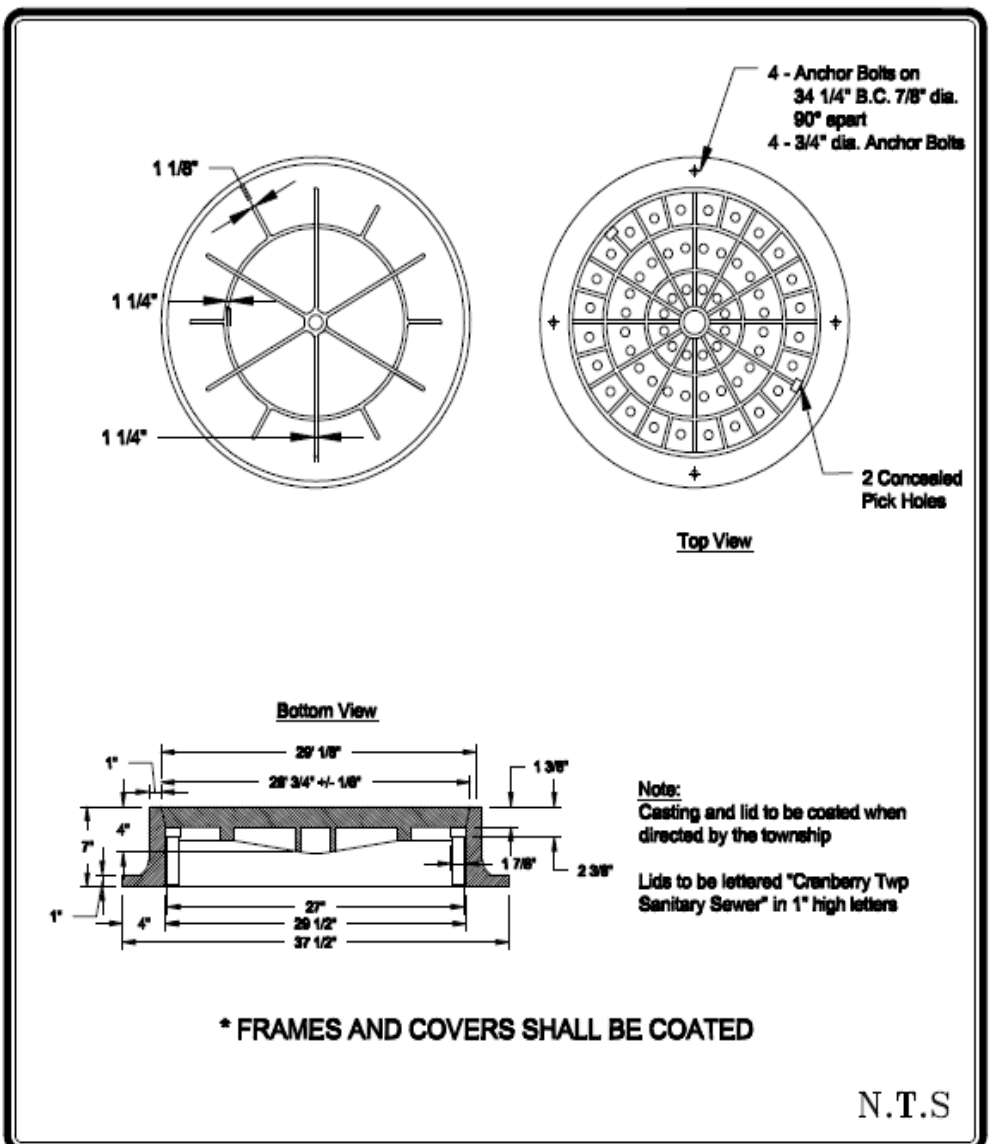


DATE	REVISION
01/10/2009	REVISED
01/10/2009	REVISED
01/10/2009	REVISED
01/10/2009	REVISED
01/10/2009	REVISED
01/10/2009	REVISED
01/10/2009	REVISED
01/10/2009	REVISED
01/10/2009	REVISED

**Grease Interceptor
Required Elements**



N.T.S



* FRAMES AND COVERS SHALL BE COATED

N.T.S

CRANBERRY
TOWNSHIP
TOGETHER TOWARD TOMORROW
2525 Rochester Road, Suite 400
Cranberry Township, PA 16066-6499
(724) 776-4808 FAX (724) 776-5488

MANHOLE FRAME ADJ. AND PLASTIC INFLOW PREVENTOR

NO.	DATE	REVISION	NO.	DATE	DRAWN
Original	6/15/05				

SW-11

CRANBERRY
TOWNSHIP
TOGETHER TOWARD TOMORROW
2525 Rochester Road, Suite 400
Cranberry Township, PA 16066-6499
(724) 776-4808 FAX (724) 776-5488

MANHOLE FRAME & COVER

NO.	REVISION		NO.	DATE	DRAWN
	DATE	DESCRIPTION			
ORIGINAL	6/14/05				
REVISED	3-27-08				
REVISED	2-8-10				

SW-12